

Crew

Rafael Rodríguez, 2023
Stand



New

Colours



White



Black



Red



Blue



Green



Grey



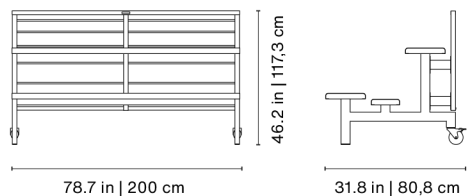
Terracotta



Yellow

Materials

Structure: Steel with cathoretic coating process and micro textured powder coated polyester paint.
Step: Steel with cathoretic coating process and scratch resistance textured powder coated polyester paint.



Product weight 331 lb | 150 kg

82x41.3x14.2 in | 208x105x36 cm
364 lb | 165 kg



Crew comfortably seats up 8 people.

Crew Accessories

Rafael Rodríguez, 2023
Covered Outdoor counter bar



New

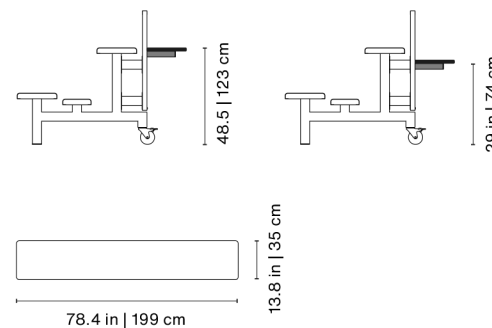
Counter bar



Iroko

Materials

Structure: Steel with cathoretic coating process and micro textured powder coated polyester paint.
Counter bar: FSC/PEFC certificated iroko wood.



Product weight 29 lb | 13 kg

Move it and create the perfect viewing stand for the team.

