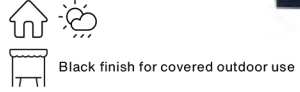


RS Folding

Rafael Rodríguez, 2017
Ping pong table



Structure and Top



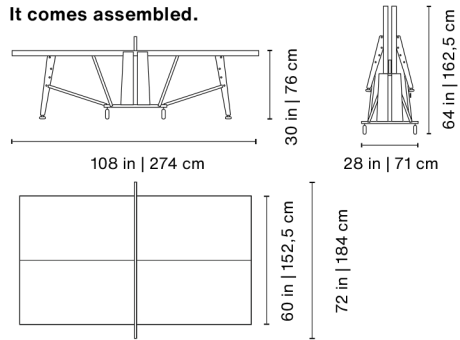
Materials

Structure: Steel with cathophoretic coating process and micro textured powder coated polyester paint.
Top: HPL (white or black).
Legs: FSC/PEFC certificated iroko wood.
Net: Coated polyester fabric.


Includes

Net.
Paddles set (2 units).
Balls set (6 units).
Storage bag.

It comes assembled.



Product weight 286.6 lb | 130 kg

 68x32x73 in | 172,7x81,3x185,4 cm
330.7 lb | 150 kg



Rule your ping pong world.

